

Compact

Efficient



SK700-II LPG STANDALONE

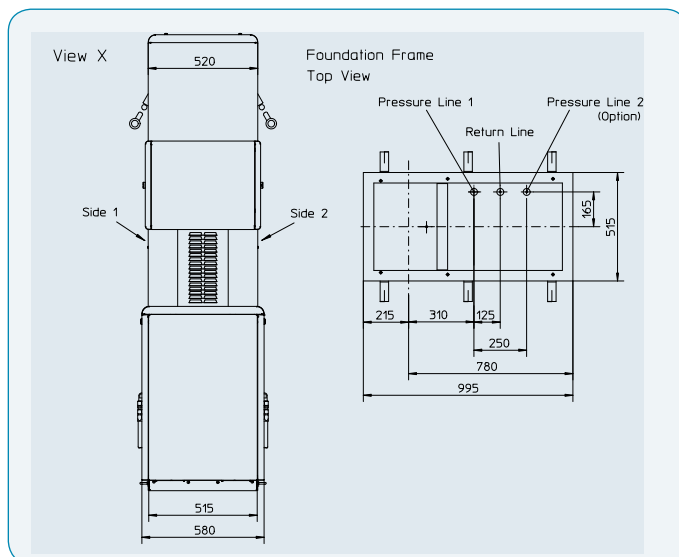
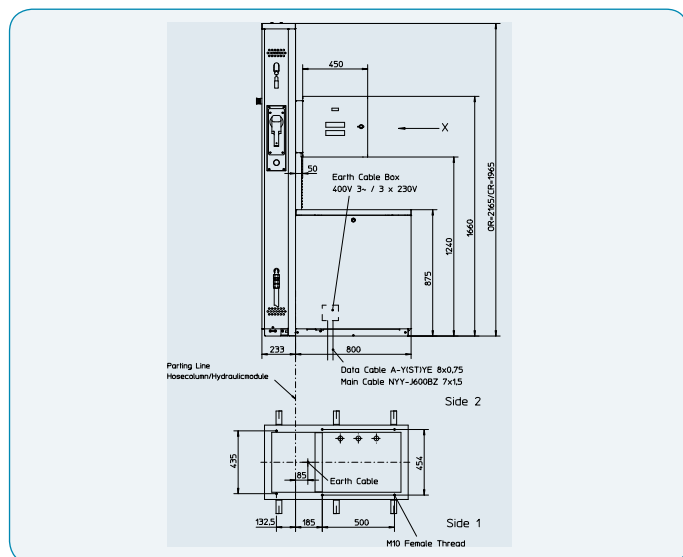
Why SK700-II LPG Standalone?

The SK700-II LPG Standalone is a solution for lane-oriented dispensing.

Entry level single and dual solution

-  Lane orientation
-  External or internal hose with retraction
-  1 or 2 nozzles
-  Small footprint

Product Specifications



Technical Specifications	Standard Features	Options
Hydraulics	<ul style="list-style-type: none"> > LPG hydraulics with 1 or 2 meters > Electronic meter calibration > Break away coupling - Elaflex 	<ul style="list-style-type: none"> > Solenoid valve: two stage dual flow for pre-set > Shear valve
Electronics	<ul style="list-style-type: none"> > Pulser > Calculator > LCD display (back lit) > Dead man push button 	<ul style="list-style-type: none"> > Emergency stop button > Automatic Temperature Compensation > Pre set keypad > Computer head door alarm > Bolt-on CRIND ready > Calculator protocol options > Electromechanical totalizer
Mechanical	<ul style="list-style-type: none"> > Housing - painted steel > Frame - hot galvanized sheet metal > Hose Management internal hose connection CR > LPG nozzle - T3 OPW > Hose - Elaflex 	<ul style="list-style-type: none"> > Stainless steel hose column and hydraulic panels > Livery options on request > Types of nozzles on request > Nozzle lock > Hose management system: external hose with rope retract

Technical Characteristics & Performance		
Environmental	Meter Characteristics	Electrical
<ul style="list-style-type: none"> > Climate: marine, tropical, industrial, polar > Ambient temperature range: -40C to +50C 	<ul style="list-style-type: none"> > Displacement : 0,500 l > Maximum flow rate: 60 l/ min > Minimum flow rate: 6 l/ min > Accuracy within the flow range: 1% (± 0.5%) > Maximum service pressure (operating pressure): 25 bar 	<ul style="list-style-type: none"> > 220/240 V + 10% / 20% 50 Hz +/- 5%

For more information contact us at:

Gilbarco Veeder-Root
 Crompton Close, Basildon, Essex, SS14 3BA, UK
 Int Tel: +44 (0)1268 533 090
 UK Tel: 08443 711 155
 Fax: +44 (0)870 0101137 Email: gilbas.sales@gilbarco.com
or visit us at: www.gilbarco.eu | www.gilbarco.eu/lpg



Economical



Stylish

SK700-II LPG IOD

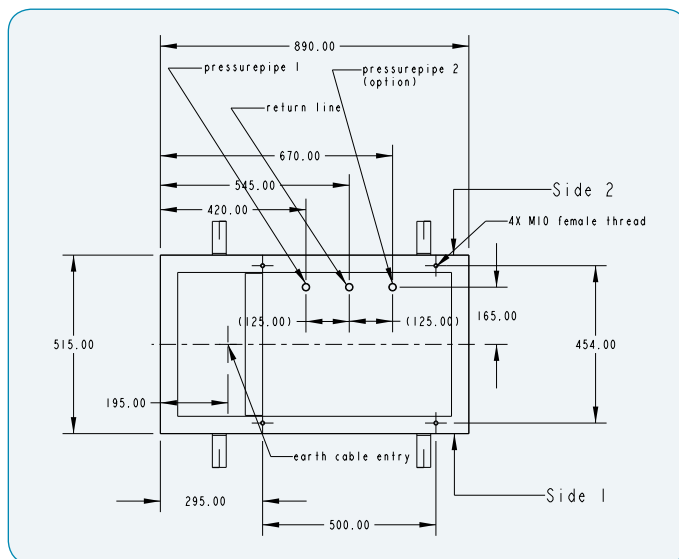
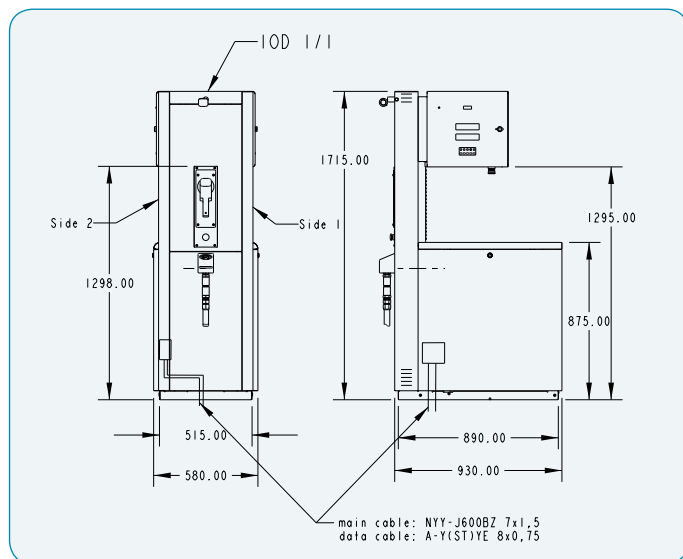
Why SK700-II LPG IOD?

The SK700-II LPG IOD is an entry-level single hose solution with island orientation and minimal footprint.

Entry level single solution

-  Island orientation
-  Hose hook
-  Single grade
-  Minimal footprint

Product Specifications



Technical Specifications	Standard Features	Options
Hydraulics	<ul style="list-style-type: none"> > LPG hydraulics with 1 meter > Electronic meter calibration > Break away coupling - Elaflex 	<ul style="list-style-type: none"> > Solenoid valve: two stage dual flow for pre-set > Shear valve
Electronics	<ul style="list-style-type: none"> > Pulser > Calculator > LCD display (back lit) > Dead man push button 	<ul style="list-style-type: none"> > Emergency stop button > Automatic Temperature Compensation > Pre set keypad > Computer head door alarm > Bolt-on CRIND ready > Calculator protocol options > Electromechanical totalizer
Mechanical	<ul style="list-style-type: none"> > Housing - painted steel > Frame - hot galvanized sheet metal > Hose Management: external hose with retriever and hose hook > LPG nozzle - T3 OPW > Hose - Elaflex 	<ul style="list-style-type: none"> > Stainless steel hydraulic panels > Livery options on request > Types of nozzles on request

Technical Characteristics & Performance		
Environmental	Meter Characteristics	Electrical
<ul style="list-style-type: none"> > Climate: marine, tropical, industrial, polar > Ambient temperature range: -40C to +50C 	<ul style="list-style-type: none"> > Displacement : 0,500 l > Maximum flow rate: 60 l/ min > Minimum flow rate: 6 l/ min > Accuracy within the flow range: 1% (± 0.5%) > Maximum service pressure (operating pressure): 25 bar 	220/240 V + 10% / 20% 50 Hz +/- 5%

For more information contact us at:

Gilbarco Veeder-Root
 Crompton Close, Basildon, Essex, SS14 3BA, UK
 Int Tel: +44 (0)1268 533 090
 UK Tel: 08443 711 155
 Fax: +44 (0)870 0101137 Email: gilbas.sales@gilbarco.com
or visit us at: www.gilbarco.eu | www.gilbarco.eu/lpg



Multiproduct







Flexible

SK700-II LPG ADD-ON

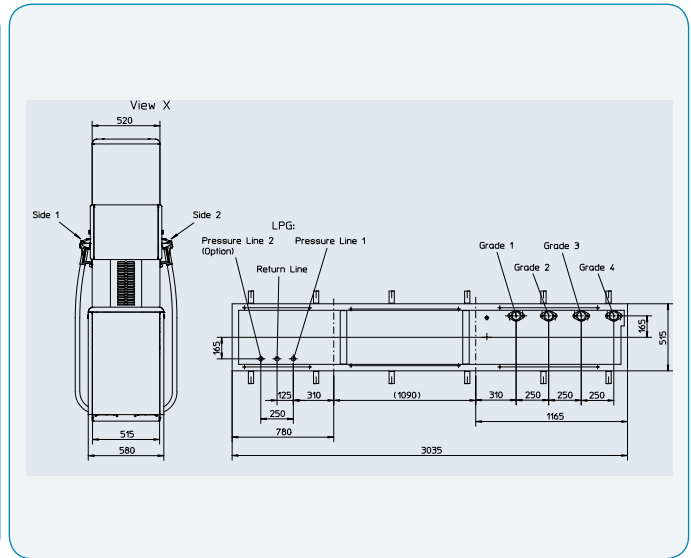
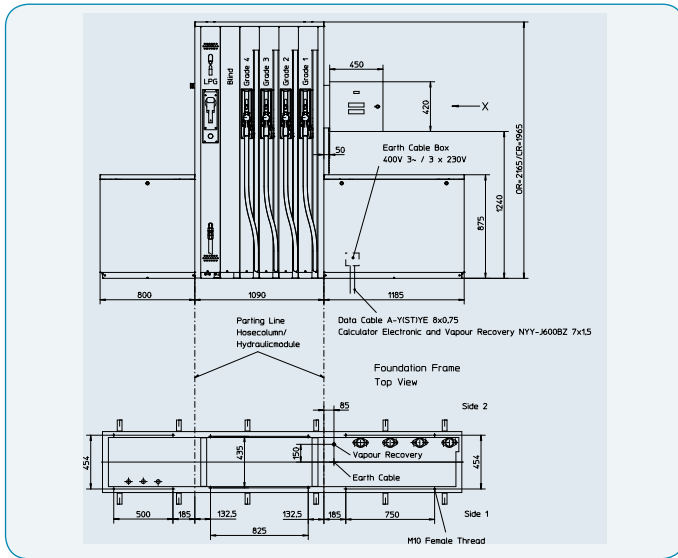
Why SK700-II LPG Add-on?

The SK700-II LPG Add-on enables you to combine LPG with a maximum of four additional petrol grades.

Multiproduct single and dual solution

-  Lane orientation
-  LPG plus max 4 petrol grades
-  Up to 10 hoses
-  External or internal hose with retraction

Product Specifications



Technical Specifications	Standard Features	Options
Hydraulics	<ul style="list-style-type: none"> > LPG hydraulics with 1 or 2 meters > Electronic meter calibration > Break away coupling - Elaflex 	<ul style="list-style-type: none"> > Solenoid valve: two stage dual flow for pre-set > Shear valve
Electronics	<ul style="list-style-type: none"> > Pulser > Calculator > LCD display (back lit) > Dead man push button 	<ul style="list-style-type: none"> > Emergency stop button > Automatic Temperature Compensation > Pre set keypad > Computer head door alarm > Bolt-on CRIND ready > Calculator protocol options > Electromechanical totalizer
Mechanical	<ul style="list-style-type: none"> > Housing - painted steel > Frame - hot galvanized sheet metal > Hose Management internal hose connection CR > LPG nozzle - T3 OPW > Hose - Elaflex 	<ul style="list-style-type: none"> > Stainless steel hose column and hydraulic panels > Livery options on request > Types of nozzles on request > Nozzle lock > Hose management system: external hose with rope retract

Technical Characteristics & Performance		
Environmental	Meter Characteristics	Electrical
<ul style="list-style-type: none"> > Climate: marine, tropical, industrial, polar > Ambient temperature range: -40°C to +50°C 	<ul style="list-style-type: none"> > Displacement : 0,500 l > Maximum flow rate: 60 l/ min > Minimum flow rate: 6 l/ min > Accuracy within the flow range: 1% (± 0.5%) > Maximum service pressure (operating pressure): 25 bar 	<ul style="list-style-type: none"> > 220/240 V + 10% / 20% 50 Hz +/- 5%

For more information contact us at:

Gilbarco Veeder-Root
 Crompton Close, Basildon, Essex, SS14 3BA, UK
 Int Tel: +44 (0)1268 533 090
 UK Tel: 08443 711 155
 Fax: +44 (0)870 0101137 Email: gilbas.sales@gilbarco.com
or visit us at: www.gilbarco.eu | www.gilbarco.eu/lpg



Modular







Versatile

SK700-II LPG COMBI

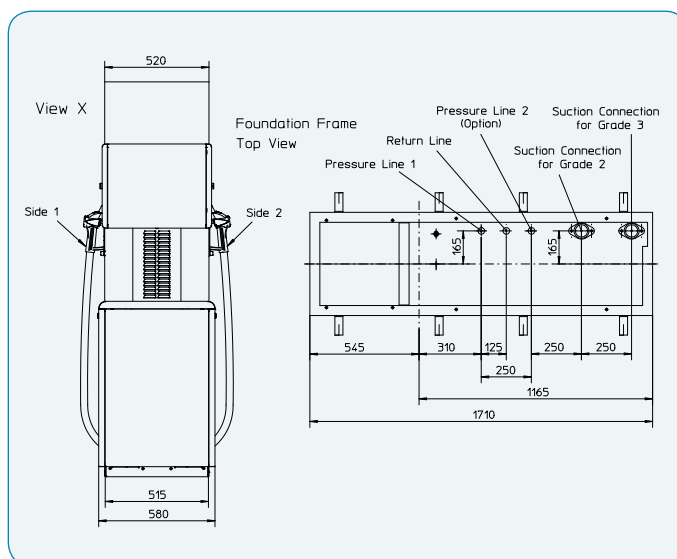
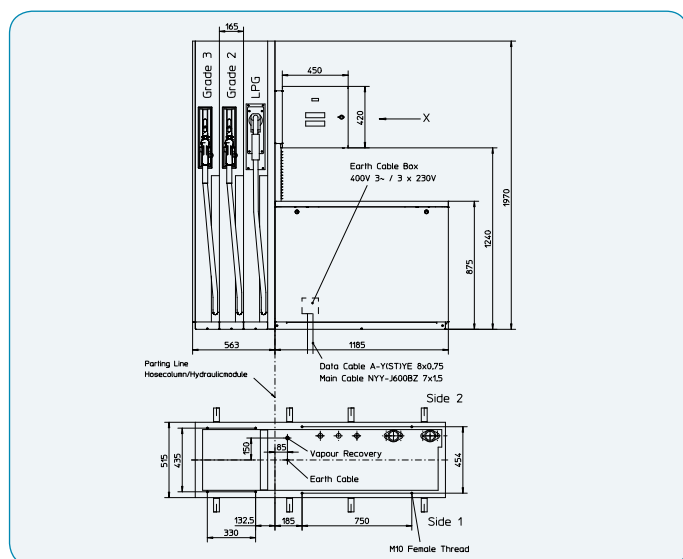
Why SK700-II LPG Combi?

The SK700-II LPG Combi allows for LPG plus two additional petrol grades to be delivered from the same unit with the compact and efficient Combi.

Multi product solution

-  Lane orientation
-  LPG plus max 2 petrol grades
-  Up to 6 hoses
-  External or internal hose with retraction

Product Specifications



Technical Specifications	Standard Features	Options
Hydraulics	<ul style="list-style-type: none"> > LPG hydraulics with 1 or 2 meters > Electronic meter calibration > Break away coupling - Elaflex 	<ul style="list-style-type: none"> > Solenoid valve: two stage for pre-set > Shear valve
Electronics	<ul style="list-style-type: none"> > Pulser > Calculator > LCD display (back lit) > Dead man push button 	<ul style="list-style-type: none"> > Emergency stop button > Automatic Temperature Compensation > Pre set keypad > Computer head door alarm > Bolt-on CRIND ready > Calculator protocol options > Electromechanical totalizer
Mechanical	<ul style="list-style-type: none"> > Housing - painted steel > Frame - hot galvanized sheet metal > Hose Management internal hose connection CR > LPG nozzle - T3 OPW > Hose - Elaflex 	<ul style="list-style-type: none"> > Stainless steel hose column and hydraulic panels > Livery options on request > Types of nozzles on request > Nozzle lock > Hose management system: external hose with rope retract

Technical Characteristics & Performance		
Environmental	Meter Characteristics	Electrical
<ul style="list-style-type: none"> > Climate: marine, tropical, industrial, polar > Ambient temperature range: -40C to +50C 	<ul style="list-style-type: none"> > Displacement : 0,500 l > Maximum flow rate: 60 l/ min > Minimum flow rate: 6 l/ min > Accuracy within the flow range: 1% (±0.5%) > Maximum service pressure (operating pressure): 25 bar 	<ul style="list-style-type: none"> > 220/240 V + 10% / 20% 50 Hz +/- 5%

For more information contact us at:

Gilbarco Veeder-Root
 Crompton Close, Basildon, Essex, SS14 3BA, UK
 Int Tel: +44 (0)1268 533 090
 UK Tel: 08443 711 155
 Fax: +44 (0)870 0101137 Email: gilbas.sales@gilbarco.com
 or visit us at: www.gilbarco.eu | www.gilbarco.eu/lpg

