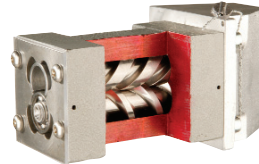
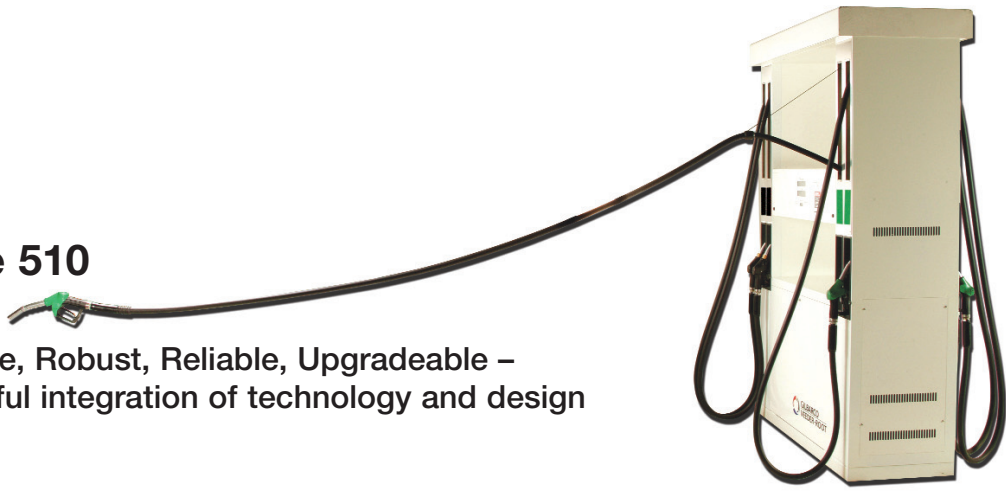


Encore 510

Distinctive, Robust, Reliable, Upgradeable –
A masterful integration of technology and design



The Encore 510 is a new innovative H-frame dispenser with a distinguished user-friendly look that will help attract customers by creating a distinctive image for your forecourt. Its robust design is based on a proven technological platform with carefully selected, rigorously tested, technologically advanced components and electronic architecture, and solid functional construction. Able to dispense upto 4 grades, these key elements make the Encore 510 ideally suited to grow with your business, and at the same time reduce your total cost of ownership.

Putting You and Your Customers First

The Encore 510 has been ergonomically designed to provide additional valuable operational benefits both to you and your customers, in particular:

- Easy upgrade to accommodate CRIND on-site thus reducing dispenser downtime.
- Improved customer satisfaction with first-ever H-Frame dispenser built with a hose retract system, which offers:
 - Best-in-class hose reach versus other H-Frame dispensers.
 - Effortless hose handling with extremely low pull force* for near and off-side filling.

- Easy service access to electronics, hoses and hose retract mechanism reducing necessary dispenser downtime.
- Unhindered access to the display/CRIND with nozzles positioned in side columns.
- Enhanced visibility around the forecourt significantly improving site management and customer safety.
- Improved nozzle and payment terminal accessibility for disabled users.
- Like-for-like replacement of Gilbarco Veeder-Root Enterprise H-Frame dispenser eliminating high costs of re-laying fuel lines.

*Also available with Hanging Hose version as standard.

Boosting Your Bottom Line

The Encore 510 exceeds international product performance and maintenance incorporating the most reliable world proven components designed to lower total cost of ownership. It is enhanced by the inclusion of a high performance monobloc pumping unit with integral air separator, and the industry leading Ecometer™ in a neat, compact hydraulic arrangement.

The Ecometer™ is a highly accurate, positive displacement meter that can significantly reduce fuel losses due to minimal meter drift, and hence have an immediate positive impact on your bottom line especially on high throughput sites.

New software-controlled flow valves eliminate the need for additional control valves for preset-prepay and maximise pump performance by maintaining regular flow rate for longer.



With increasing demands being placed on site owners to cater for higher throughput requirements and environmental regulations, the Encore 510 also comes in an STP version that operates with Red Jacket submersible turbine pumps. And it can link to Gilbarco Veeder-Root automatic tank gauges that continuously monitor lines for leaks giving site owners a total forecourt management solution for absolute peace of mind.

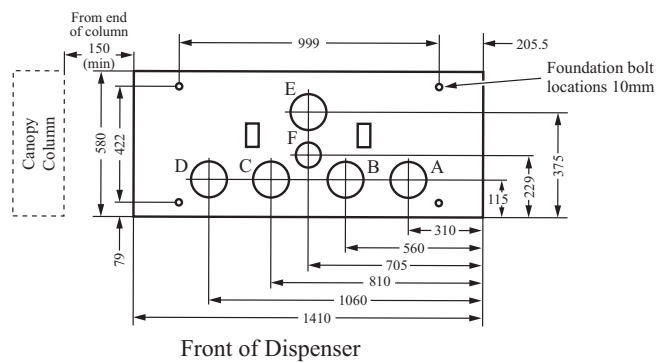
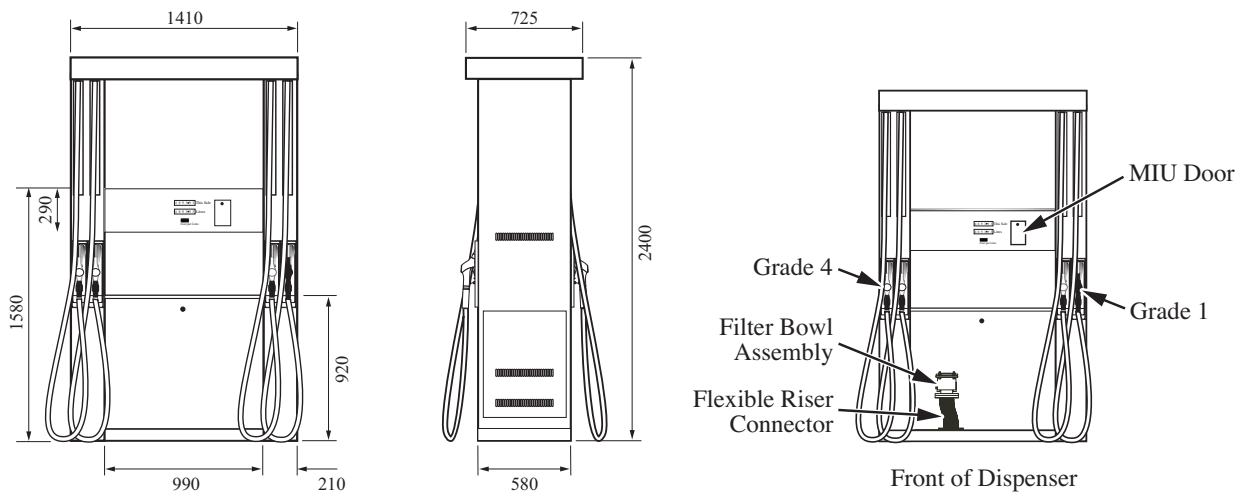


Specifications

Housing	Finished in highly durable painted steel
Computer Display	7 segment back-lit displays with Gilbarco Veeder-Root Sandpiper electronics
Meter	4 piston positive displacement C+ meter
Pumping Unit	High performance monobloc unit with integral air separator
Temp Range	-40°C to +40°C
Electrical	220/240V (single phase); 380/415V (3 phase); 50Hz
Communications	Gilbarco Veeder-Root 2 Wire protocol

Optional Features

Hose retraction	Low drift Ecometer™	Vapour Recovery Stage II
Pay at Pump 'CRIND'	PPU per grade	Preset
Ultra High Flow	40/70 litre Pushbuttons	Stainless Steel and GRP panels
IFSF Communications	Special Colours	STP



All dimensions are in millimetres

These specifications are for guidance only and Gilbarco Veeder-Root reserves the right to change, without notice, these specifications in accordance with its policy of continued product improvements

